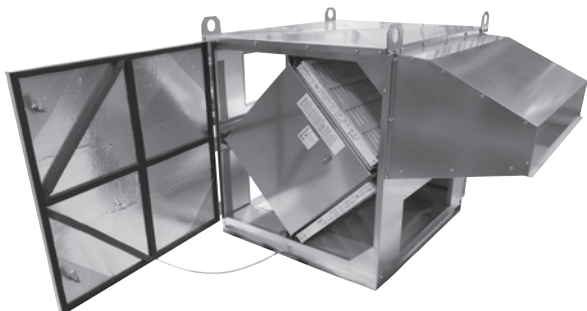


# MODEL CRT

## OUTDOOR CABINET WITH CORES



**10-YEAR**  
Core Warranty

**AHRI** CERTIFIED™

### MODEL FEATURES

- MERV-8 filters
- Fully insulated case
- Large cores for high efficiency
- No condensate pan or drain required
- AHRI Certified
- Rainhood included
- Access door for easy maintenance and Cleaning
- Integral lifting lugs

---

### MODEL OVERVIEW

The Models CRT consist of an insulated sheet metal cabinet with 2, 3 or 4 ERV cores and MERV 8 filters. These roof mounted cabinets are designed for retrofit or new construction applications where space for an ERV does not meet the requirements. The CRT provides cost effective energy recovery with the flexibility in location of the supply and exhaust blowers.

---

### STANDARD FEATURES

- G5 - AHRI Certified performance data for efficiency and cross leakage
- Ten year core performance warranty
- No liquid water (condensate) or accompanying drain line to deal with - as with many competing brands
- Hinged and latched access door to ERV cores with airtight outdoor exposure compression seals
- Built-in pressure ports with captive plugs allowing cross-core pressure measurement and accurate airflow measurement
- Rainhood standard, ships assembled with unit
- One inch thick dense fiberboard insulation with scrimmed foil facing - washable, durable and easy to maintain - no loose insulation fibers to break off and enter the airstreams
- UL tested flammability and smoke generation that meets NFPA 90A and 90B test standards for commercial applications
- MERV 8, 2" pleated, 20"x20" nominal size filters as follows:
  - C2XRT: Four total, two for each airstream
  - C3XRT: Six total, three for each airstream
  - C4XRT: Eight total, four for each airstream

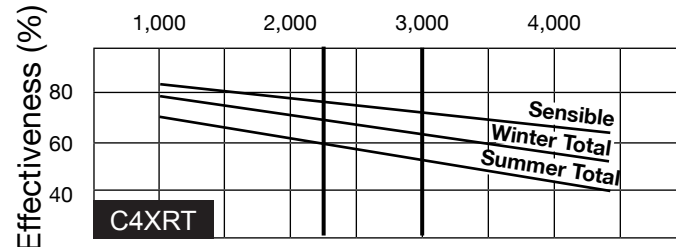
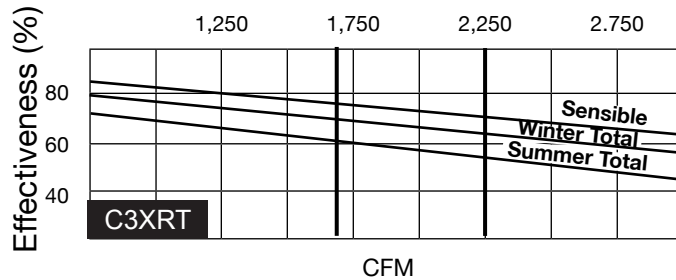
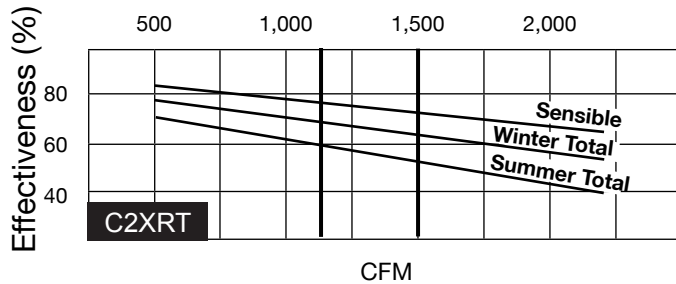
**10-year industry best core warranty. 2-year warranty on balance of unit.**

All specifications are subject to change without notice unless approved in submittal by JencoFan.

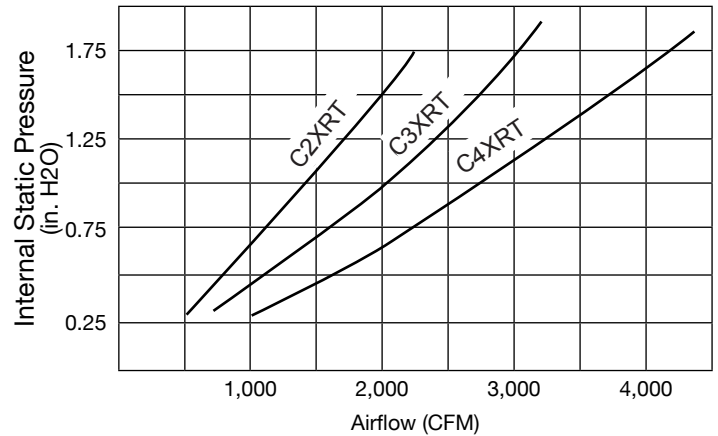
**SPECIFICATIONS**

Ventilation Type: Static Plate, Heat and Humidity Transfer			
Insulated sheet metal cabinets with energy exchange cores and filters			
Individual CRT Series units can be built to larger air handling systems			
Blower not included and must be specified to meet job requirements			
Description	C2XRT	C3XRT	C4XRT
Typical Airflow Range CFM	500-2,200	750-3,300	1,000-4,000
AHRI 1060 Certified Core	Two (2) L125-00	Three (3) L125-00	Four (4) L-125-00
Airflow Rating Points (for AHRI)	1,500 and 1,120 CFM	2,250 and 1,690 CFM	3,000 and 2,250 CFM
Unit Weight	250 lbs	377 lbs	462 lbs
Shipping Weight	310 lbs	477 lbs	562 lbs
Filters: MERV 8, 2" pleated 20" x 20" nominal sizes	Four (4) Total	Six (6) Total	Eight (8) Total
Shipping Dimensions (W x L x H)	62" x 48" x 48"	62" x 96" x 48"	62" x 96" x 48"
Insulation: One inch, high density, FSK faced, fiberglass			
Options: Double wall construction			

**G5 Core Performance**



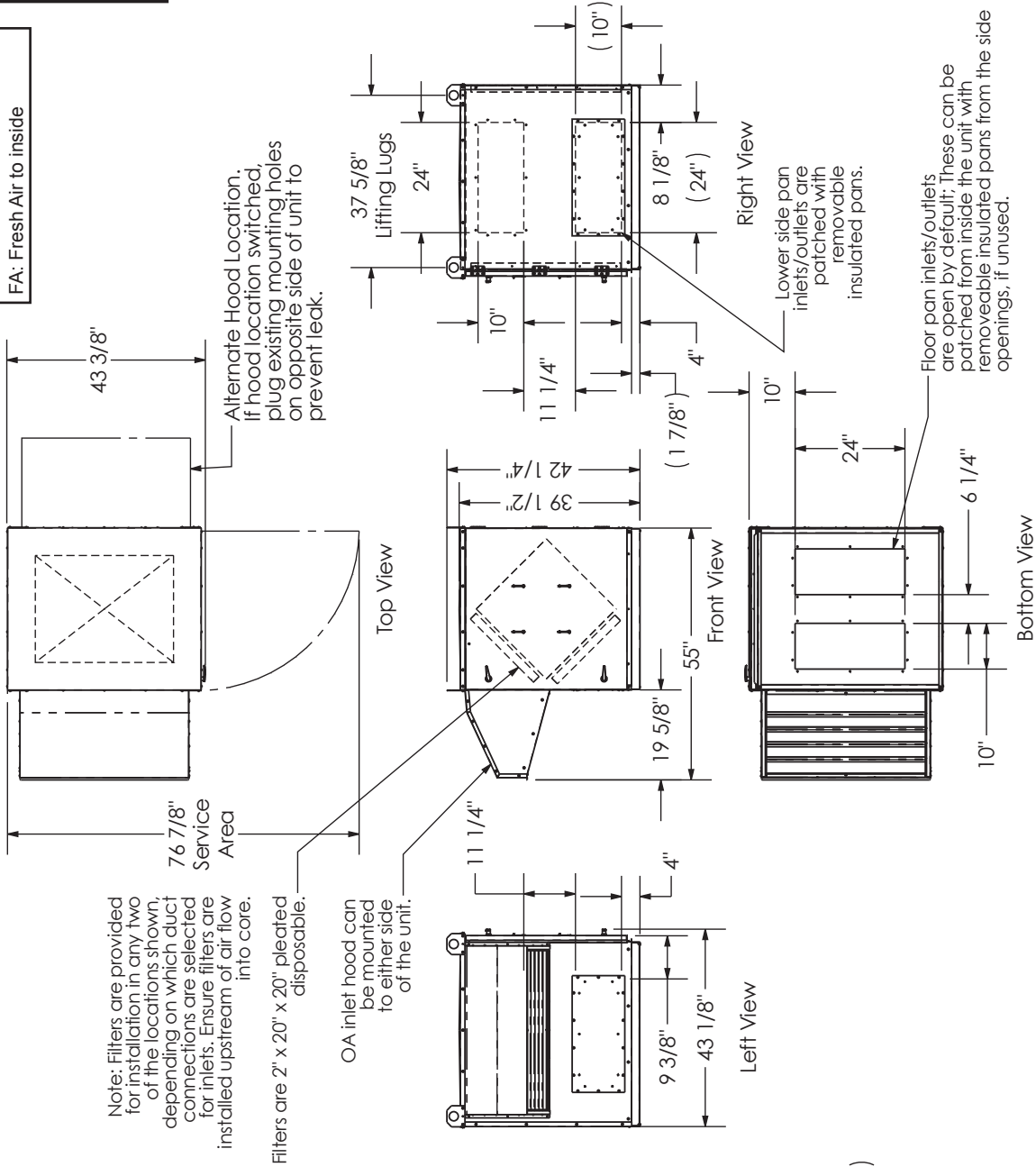
**Airflow Performance**



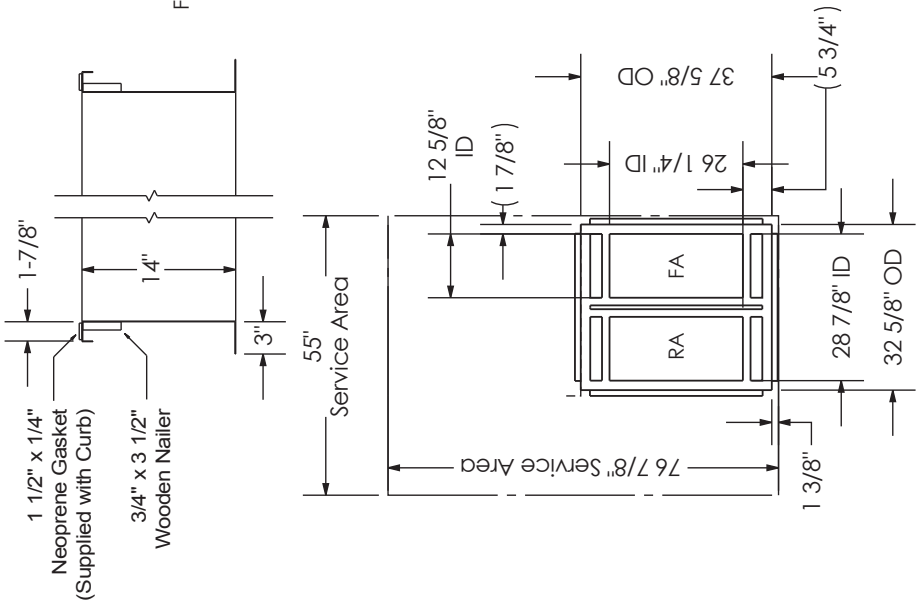
\*At AHRI 1060 standard conditions  
(Contact Factory for certified data for core components.)

**C2XRT Dimensions**

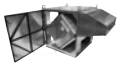
EA: Exhaust Air to outdoors  
OA: Outdoor Air intake  
RA: Room Air to be exhausted  
FA: Fresh Air to inside



**Curb Cross Section (Typical for All)**

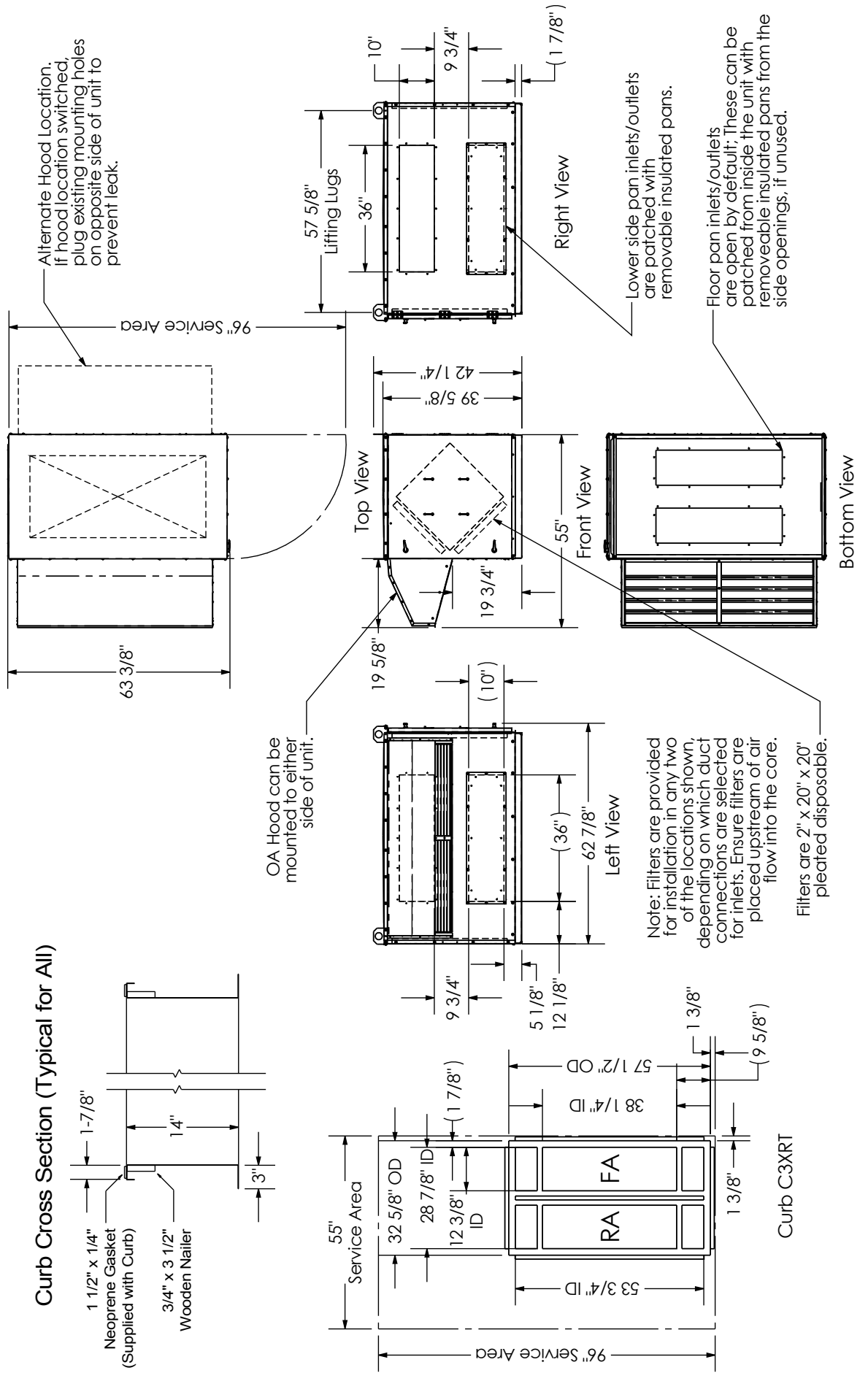


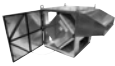
Curb C2XRT



### C3XRT Dimensions

EA: Exhaust Air to outdoors  
 OA: Outdoor Air intake  
 RA: Room Air to be exhausted  
 FA: Fresh Air to inside

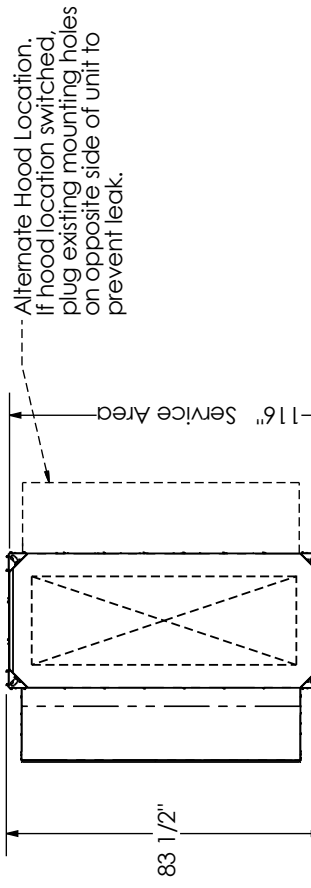
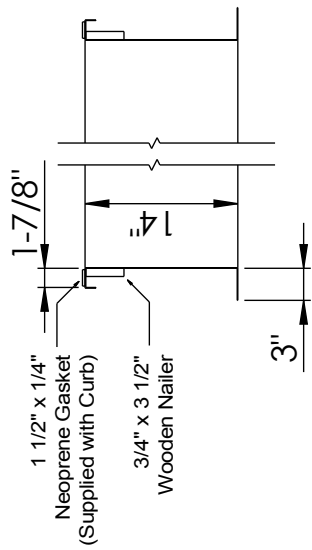




**C4XRT Dimensions**

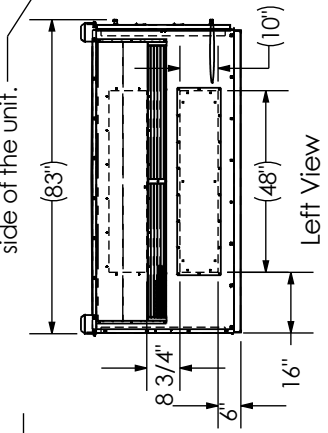
EA: Exhaust Air to outdoors  
OA: Outdoor Air intake  
RA: Room Air to be exhausted  
FA: Fresh Air to inside

**Curb Cross Section (Typical for All)**



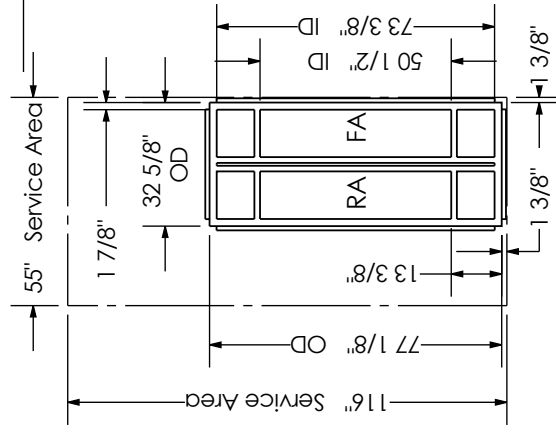
Alternate Hood Location.  
If hood location switched,  
plug existing mounting holes  
on opposite side of unit to  
prevent leak.

OA inlet hood can  
be mounted to either  
side of the unit.

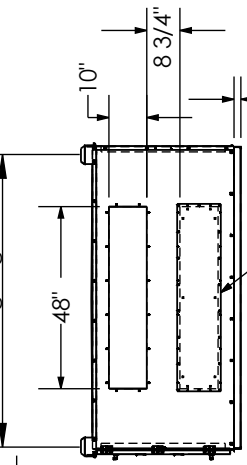


Note: Filters are provided  
for installation in any two  
of the locations shown,  
depending on which duct  
connections are selected  
for inlets. Ensure filters are  
installed upstream of air flow  
into core.

Filters are 2" x 20" x 20" pleated  
disposable.

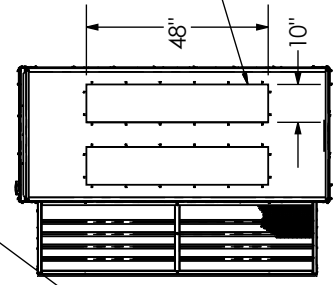


77 1/4"  
Lifting Lugs



Right View

Lower side pan  
inlets/outlets are  
patched with  
removable  
insulated pans.



Bottom View

Floor pan inlets/outlets  
are open by default. These can be  
patched from inside the unit with  
removable insulated pans from the side  
openings, if unused.